

# XLS to CMDB –Service Modeling Toolkit

Karlis Peterson – Principal Software Consultant

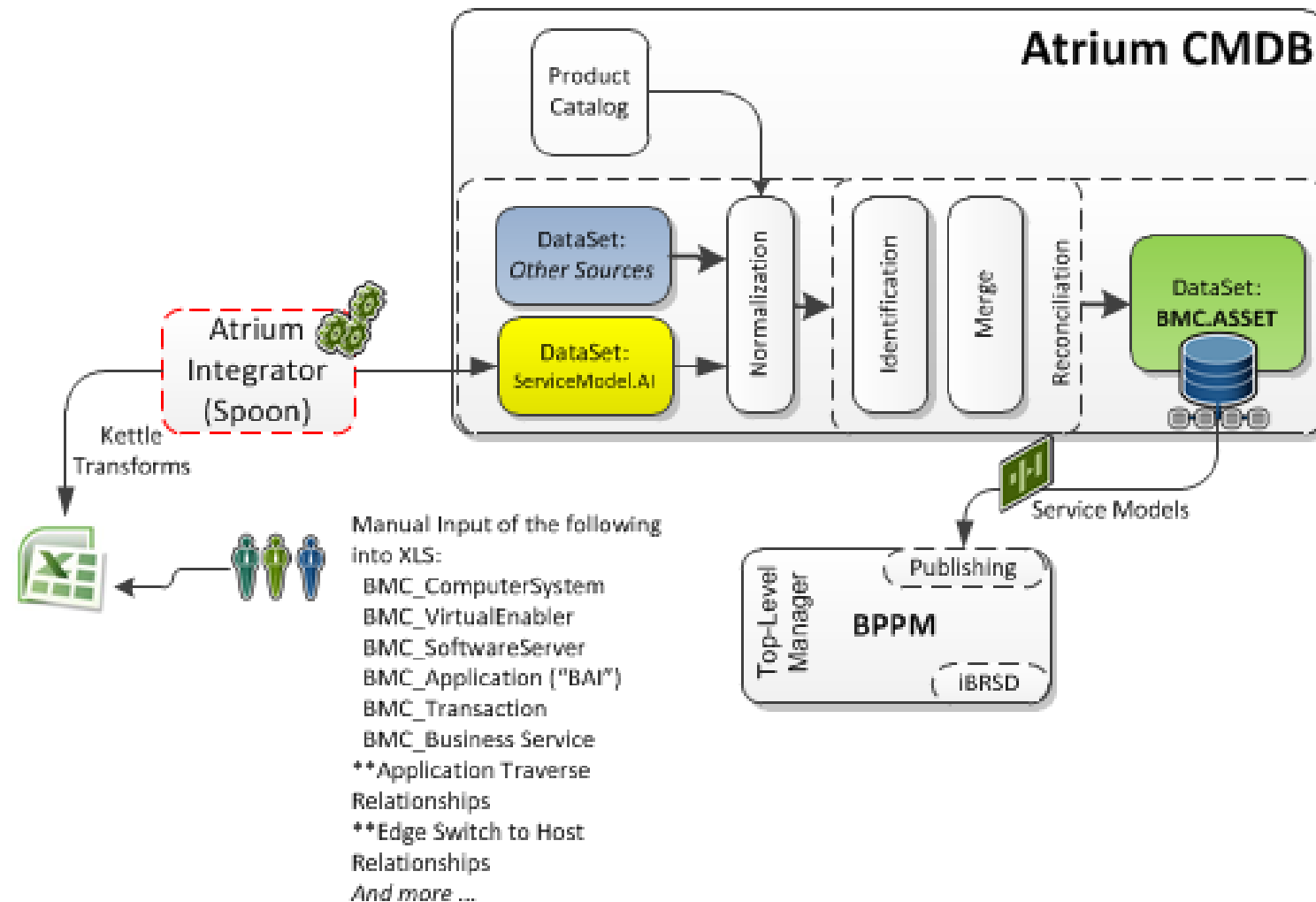


AS1U36BJK

BS2WKR01H  
AS1U36BJK

AS1U36BJK

BS2WKR01H  
AS1U36BJK



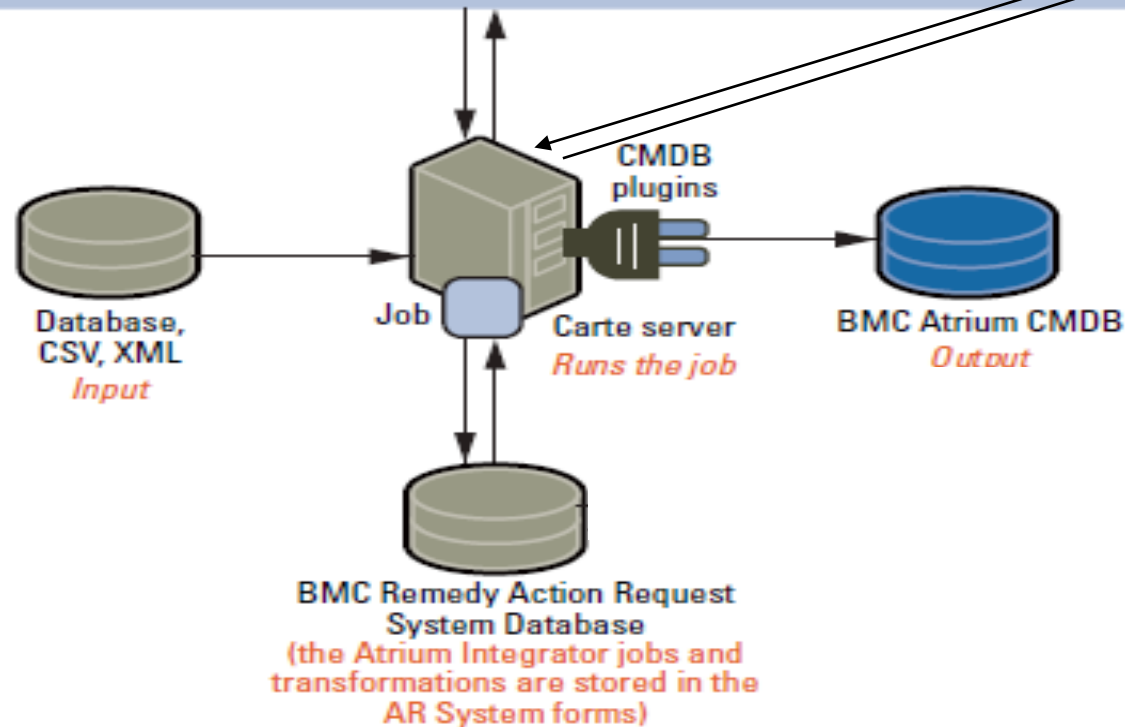
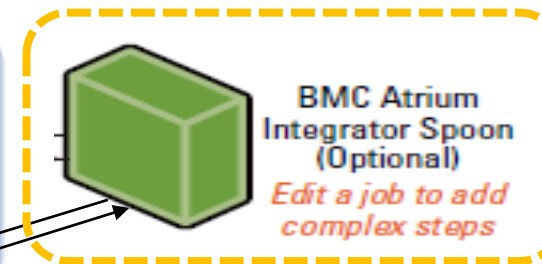
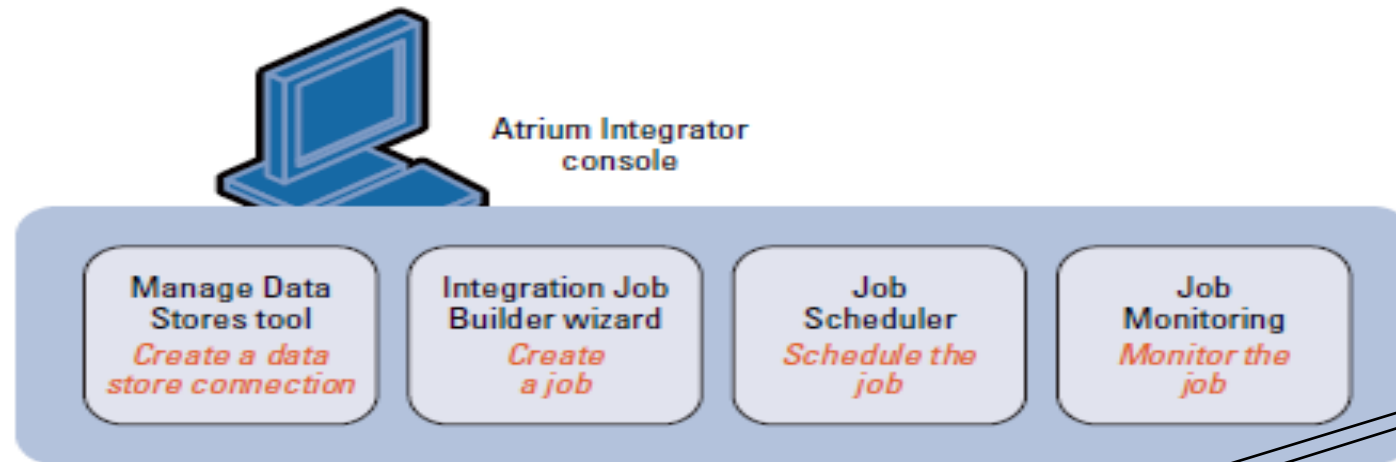
- ▶ Quick Deployment of Service Models
- ▶ Map Meta-data within XLS – be used as a tool before deploying ADDM/CAM
- ▶ Synch to a Sand-box, when ready then merge with BMC\_ASSET
- ▶ Easily extensible to include other CI Classes and Attributes.
- ▶ Perfect for custom demos and POCs

- ▶ AIE lacks in the area of what it can connect to.
  - Sybase
  - MySQL
  - Hierachial XML files
- ▶ Limited transformation capability.
- ▶ More of a bulk load tool than it was a real time data transfer tool.
- ▶ Have to possess good CMDB skills to model data effectively.
- ▶ Lots of calls to support asking “How do I ...?”



- ▶ A whole slew of connectors!
  - JDBC, XML, Web Services, JMS..
  - <http://wiki.pentaho.com/display/EAI/Pentaho+Data+Integration+Steps>
- ▶ A true ETL tool.
- ▶ Near real time data transfers.
- ▶ Drag and Drop GUI Design tool.
- ▶ Faster Time to Value.
  - Integrated into Atrium UI for job control.
  - Sample Jobs, transformation and templates.
  - Wizard for building job.



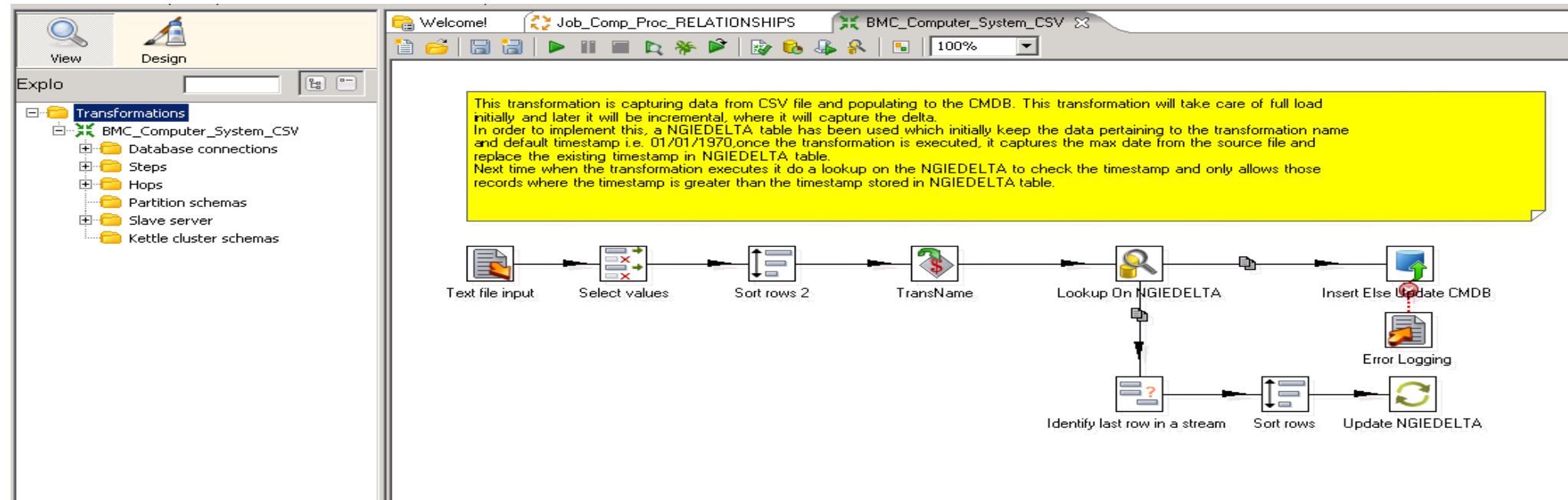
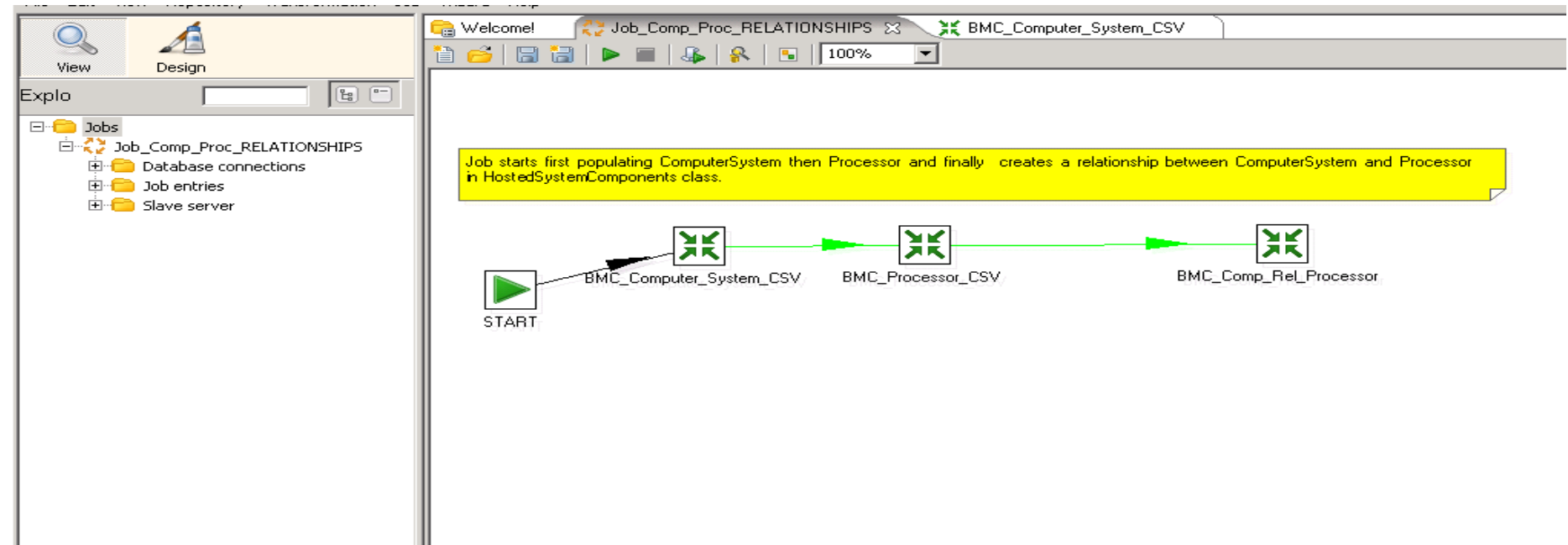


- ▶ **Atrium Integrator Console** – New console accessible from Atrium Core

- ▶ **Pentaho Spoon** – GUI based Designer Studio that allow the user to edit data integration jobs and transformations
  - Thick client for Power Users

- ▶ **Atrium Integrator Engine** (Pentaho Data integration)
  - Core data integration engine
  - Run time engine for data extraction, transformation and loading

- ▶ Repository
- ▶ Transformation
- ▶ Step
- ▶ Hop
- ▶ Job

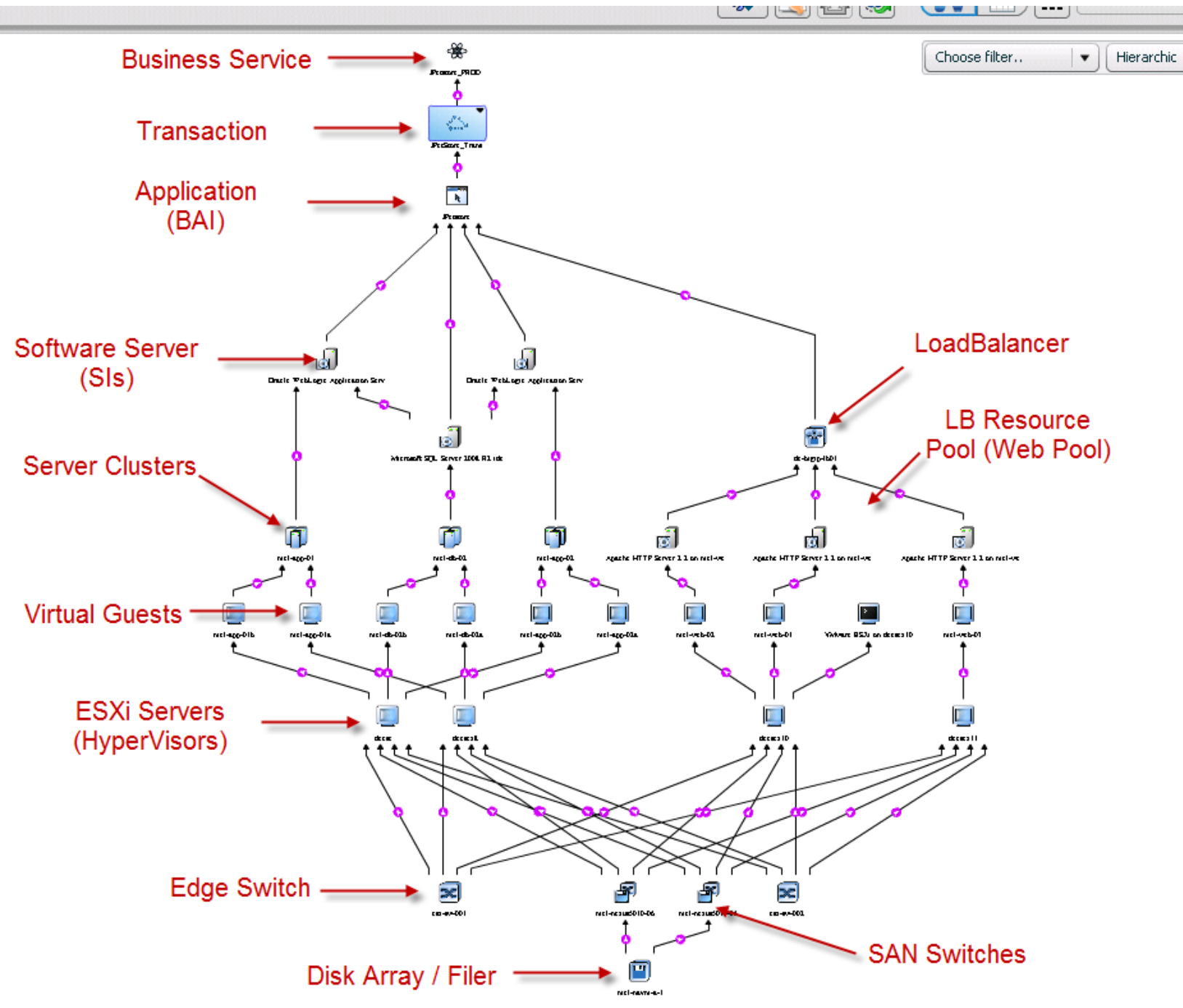


# Toolkit XLS – Simple Interface

	A	B	C	D	E	F	G	H	I	J
1	Hostname	Domain	Device_Type	Server_Cluster	Server_Cluster_Name	Server_Cluster_ImpactWeight	Virtual_Server	VM_Hosted_on	LoadBalanced	LoadBalancer_I
2	mcl-app-01a	dclab.bmc.com	Server	yes	mcl-app-01	50	yes	dcescx8		
3	mcl-app-01b	dclab.bmc.com	Server	yes	mcl-app-01	50	yes	dcescx9		
4	mcl-app-02a	dclab.bmc.com	Server	yes	mcl-app-02	50	yes	dcescx8		
5	mcl-app-02b	dclab.bmc.com	Server	yes	mcl-app-02	50	yes	dcescx9		
6	mcl-db-02a	dclab.bmc.com	Server	yes	mcl-db-02	50	yes	dcescx8		
7	mcl-db-02b	dclab.bmc.com	Server	yes	mcl-db-02	50	yes	dcescx9		
8	dcescx8	dclab.bmc.com	HyperVisor							
9	dcescx9	dclab.bmc.com	HyperVisor							
10	esx-sw-001	dclab.bmc.com	Switch							
11	esx-sw-002	dclab.bmc.com	Switch							
12	mcl-web-01	dclab.bmc.com	Server				yes	dcescx10	yes	dc-bigip-lb01
13	mcl-web-02	dclab.bmc.com	Server				yes	dcescx10	yes	dc-bigip-lb01
14	mcl-web-03	dclab.bmc.com	Server				yes	dcescx11	yes	dc-bigip-lb01

Navigation tabs: README, **Step1\_BMC\_ComputerSystem**, Step1a\_BMC\_Cluster, Step2\_BMC\_VirtualSystemEnabler, Step3\_BMC\_SoftwareServer, Step4\_BMC\_Application

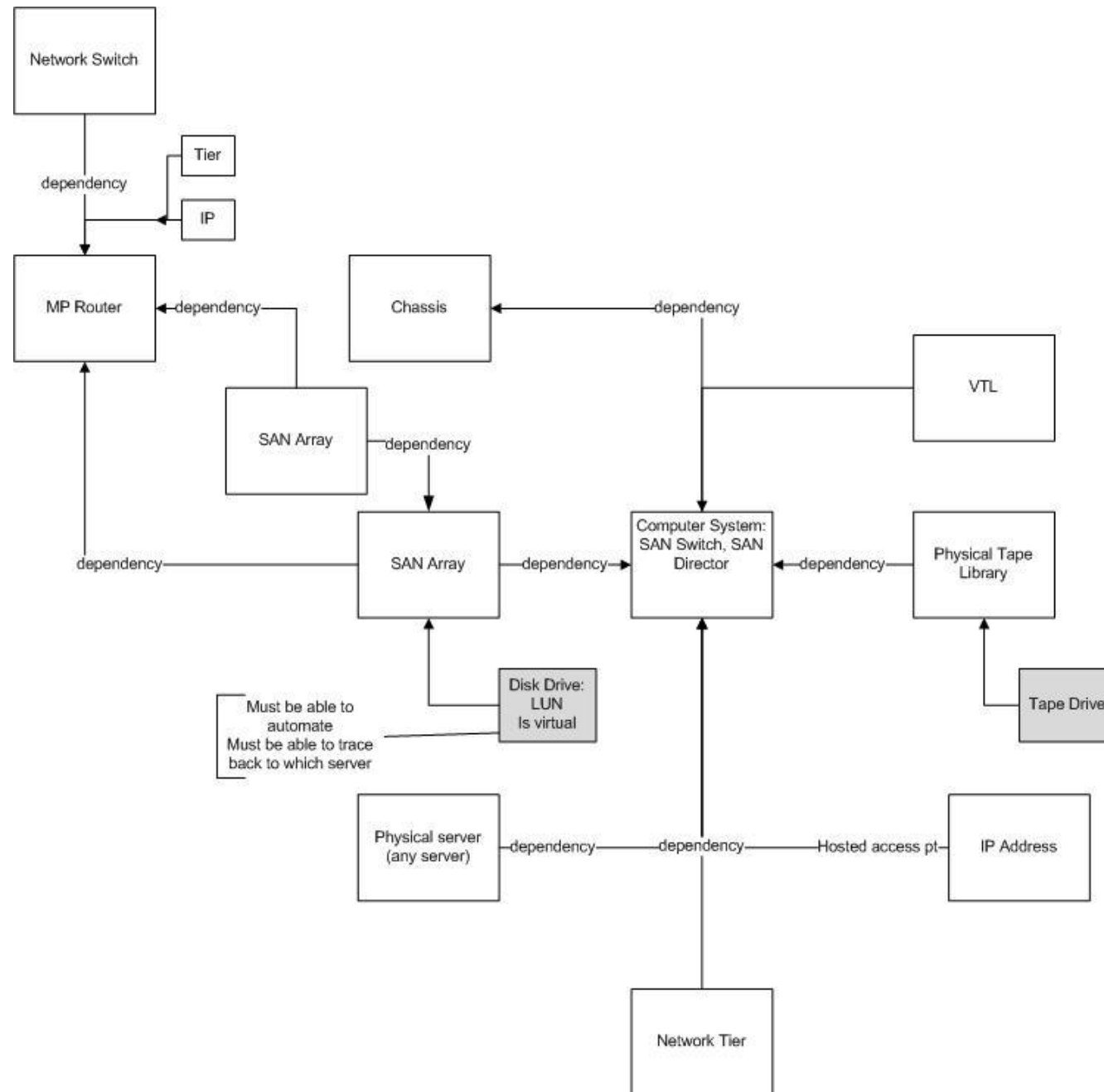
Status: Ready | 90%



- ▶ **Go beyond what ADDM can discover**
  - SAN Relationships
  - LoadBalancer Resource Pools
  - Physical Server Clusters
  - And more ...
- ▶ **Add logical (Non-discoverable) components to the Service Model**
- ▶ **Validate the model without having to merge to BMC:ASSET**
- ▶ **MS Excel – easy interface**



# Go beyond what ADDM can discover ...



- ▶ SAN (Disk Arrays / Filers)
- ▶ Server Clustering
- ▶ Organizations
- ▶ Network Relationships
- ▶ *More ...*

# Demo

